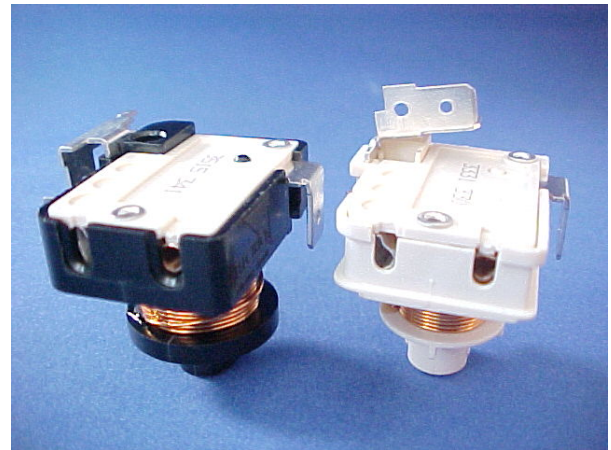




# Traditional MTRP

## PLUG-IN MOTOR STARTING RELAY

This relay is the traditional current sensitive, normally-open relay used in low horsepower compressor motor start applications. It is available in thermoplastic material or with the body in phenolic material, more indicated in humid environments or for frequent operations like food mixer applications.



### Electrical Characteristics

- Class B coil (130°C)
- P.U. current up to 24.4 amps, 50/60 Hz
- Normally-open circuit, single pole, double break, for use on RSIR or CSIR applications.
- For Normal pollution condition (according to EN60730)
- Contact ratings:  
MTRP            8A-250VAC, 12A-125VAC  
MTRPH        12A-250VAC, 15A-125VAC
- Endurance: 500.000 operations
- Ambient temperature Tmax = 80°C
- Materials  
COVER: Thermoplastic compound (natural colour) PTI 250V-UL94V0  
BOBBIN:
  - Thermoplastic compound (natural colour) PTI 250V-UL94V0
  - Thermosetting compound  
MTRP (black colour) PTI 175V-UL94V0  
MTRPH (white colour) PTI 250V-UL94V0

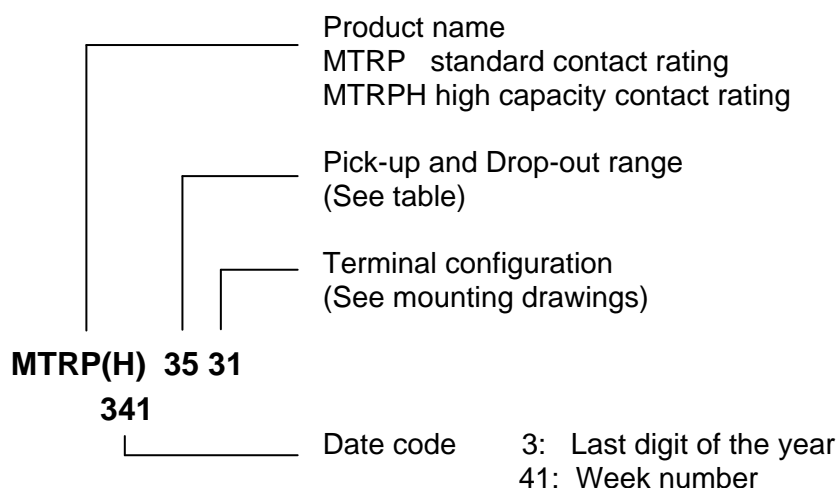
### Mechanical Characteristics

- Plug-in mounting directly on "Fusite" Main and Start Ø2.28 mm standard pins.
- 6.3 mm (.250") tabs and screw terminals available.
- Compact size.

### Approvals

- ENEC    IMQ - CA02.00429
- UL        E51436
- CUL      E51436
- According to EN60079-15:2005 for use with flammable refrigerant gases

### Coding and Marking



## Pick-up and Drop-out range

MTRP MTRPH	Max. Pick-up Amp	Min. Drop-out Amp	MTRP MTRPH	Max. Pick-up Amp	Min. Drop-out Amp
20	2,00	1,70	47	7,45	6,30
21	2,10	1,75	48	7,80	6,65
22	2,20	1,85	49	8,20	7,00
23	2,30	1,95	50	8,60	7,35
24	2,40	2,05	51	9,05	7,70
25	2,50	2,10	52	9,50	8,05
26	2,70	2,30	53	10,00	8,45
27	2,80	2,40	54	10,50	8,90
28	2,95	2,50	55	11,00	9,35
29	3,10	2,60	56	11,55	9,80
30	3,25	2,75	57	12,10	10,30
31	3,40	2,90	58	12,70	10,80
32	3,55	3,05	59	13,35	11,35
33	3,75	3,20	60	14,00	11,90
34	3,95	3,35	61	14,70	12,50
35	4,15	3,50	62	17,40	14,80
36	4,35	3,70	63	17,80	14,90
37	4,55	3,90	64	18,20	15,50
38	4,80	4,10	65	18,70	15,60
39	5,05	4,30	66	19,20	16,20
40	5,30	4,50	67	19,90	16,60
41	5,55	4,70	68	20,30	17,25
42	5,80	4,95	69	20,90	17,75
43	6,10	5,20	70	21,90	18,20
44	6,40	5,45	71	23,20	19,40
45	6,75	5,70	72	24,00	19,80
46	7,10	6,00	73	24,40	20,30

For different operating values, contact the Factory.

For any different configuration, contact the Factory

---

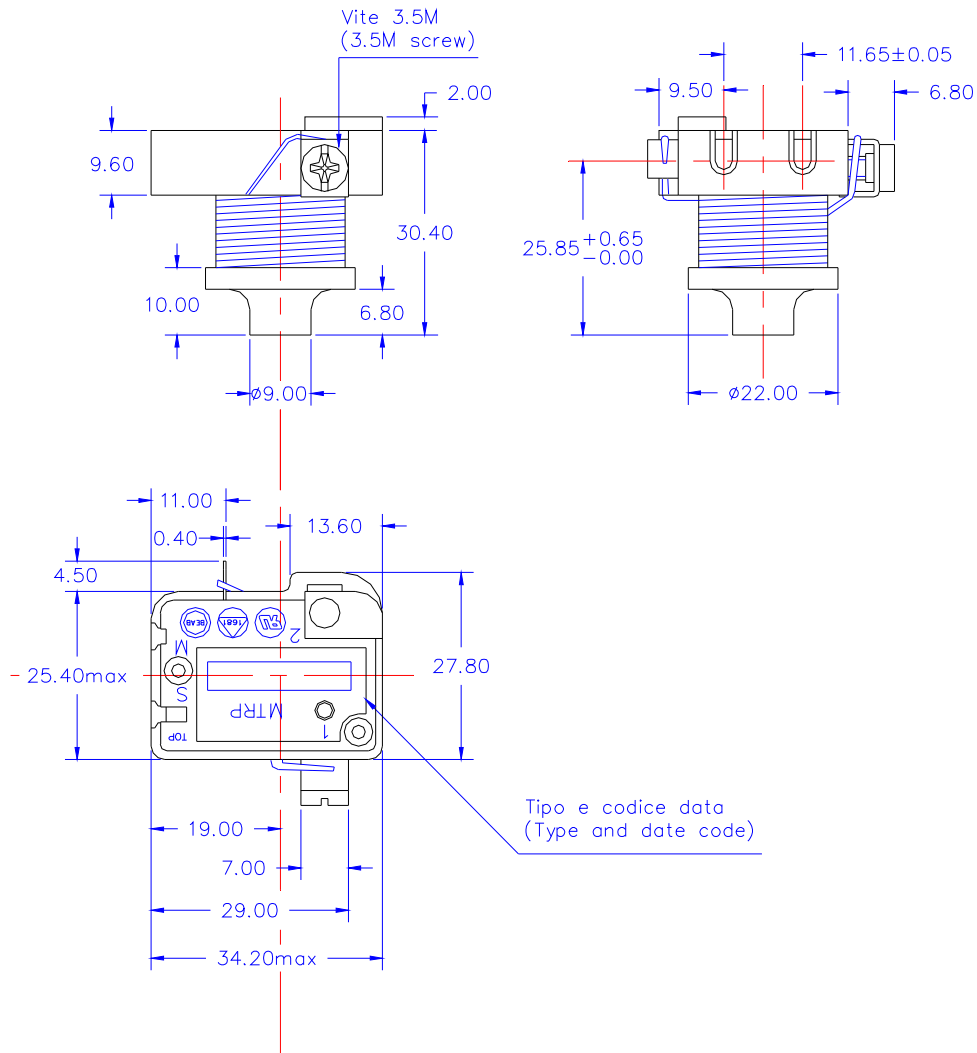
**Electrica s.r.l.** - via privata Della Torre, 24 - 20127 Milano - Italy  
 Tel. +39 02 2892641 Fax +39 02 2827511  
[www.electrica.it](http://www.electrica.it) [info@electrica.it](mailto:info@electrica.it)



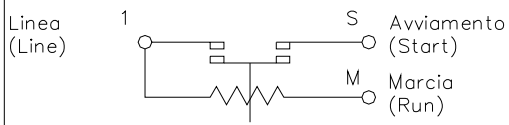
ELECTRICA s.r.l.  
 Via Privato della Torre 24  
 20127-Milano-Italia  
 Tel: +39 - 022892641  
 Fax: +39 - 022827511  
 www.electrica.com

Serie MTRP - rele' d'avviamento  
 (MTRP series - starting relay)

Montaggio 01  
 (Mounting)



Collegamento normale  
 (Standard wiring)



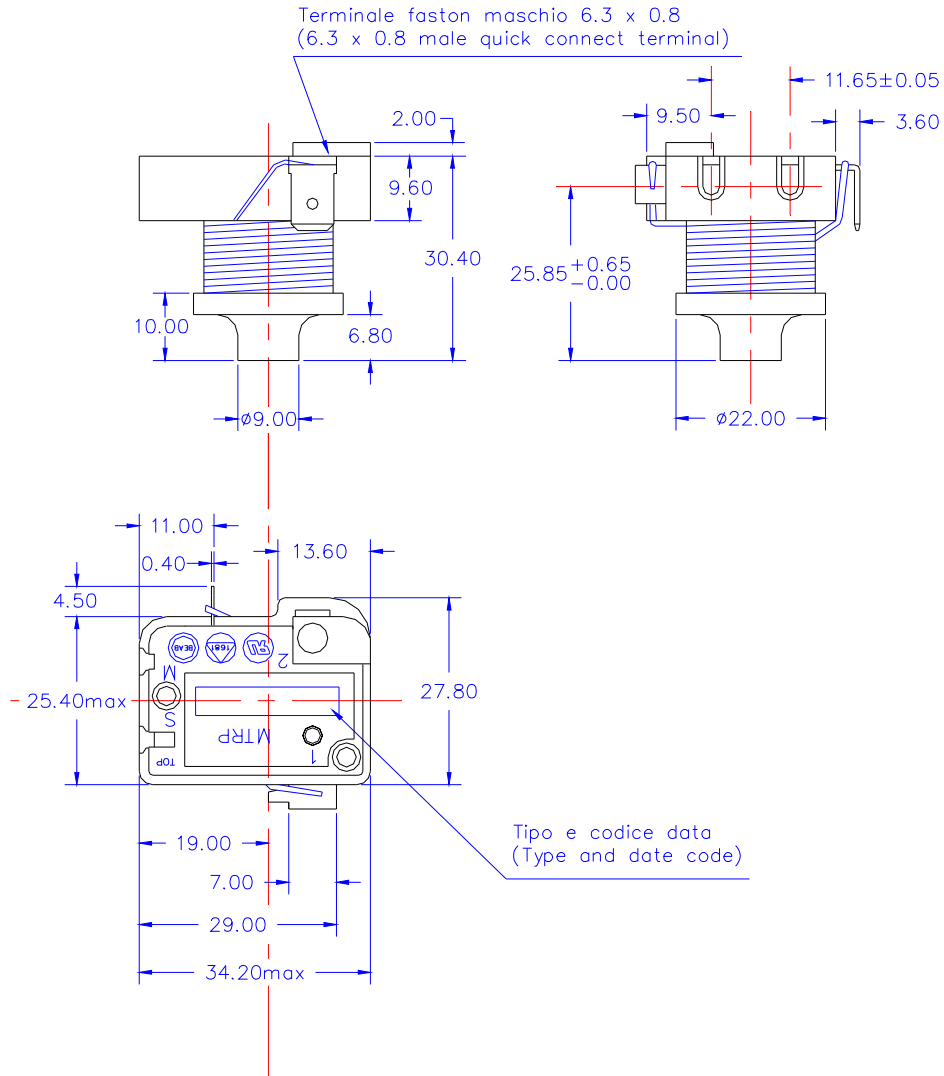
REV.01  
 27/05/93



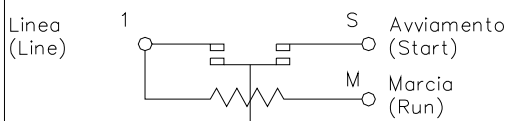
ELECTRICA s.r.l.  
Via Privata della Torre 24  
20127-Milano-Italia  
Tel: +39 - 022892641  
Fax: +39 - 022827511  
www.electrica.com

Serie MTRP - rele' d'avviamento  
(MTRP series - starting relay)

Montaggio 02  
(Mounting)



Collegamento normale  
(Standard wiring)



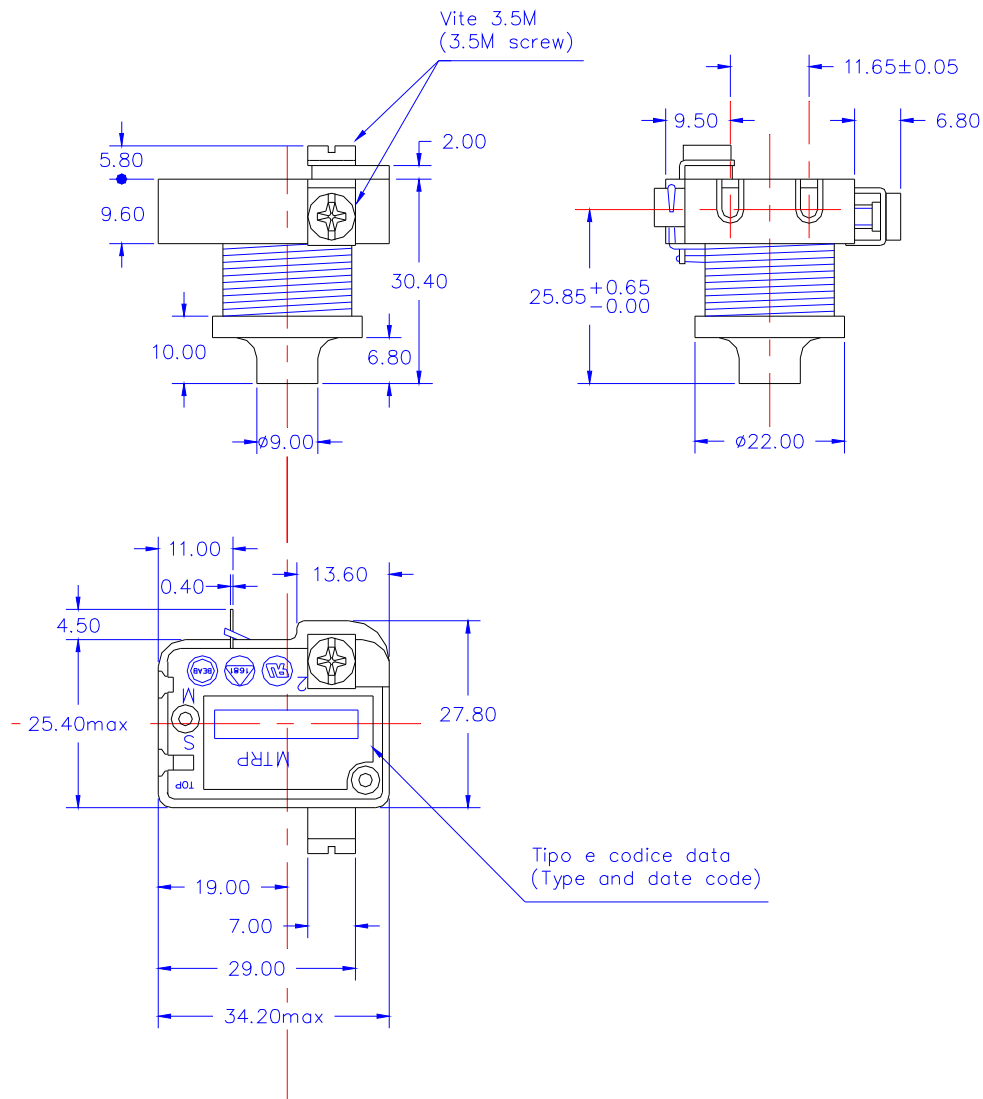
REV.01  
11/02/93



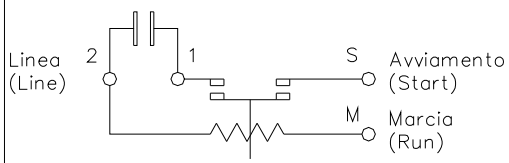
ELECTRICA s.r.l.  
Via Privata della Torre 24  
20127-Milano-Italia  
Tel: +39 - 022892641  
Fax: +39 - 022827511  
www.electrica.com

Serie MTRP - rele' d'avviamento  
(MTRP series - starting relay)

Montaggio 08  
(Mounting)



Collegamento con condensatore d'avviamento  
(Wiring with starting capacitor)



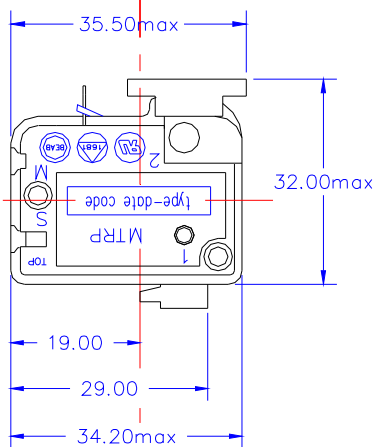
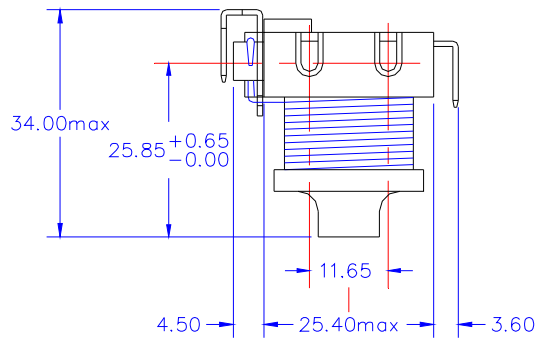
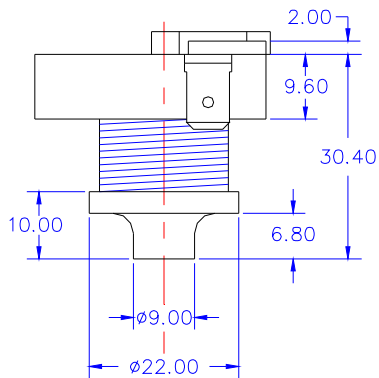
REV.01  
27/05/93



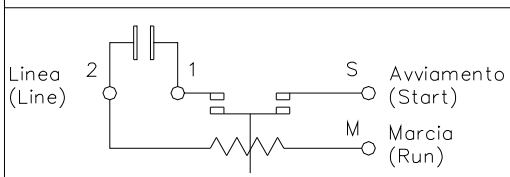
ELECTRICA s.r.l.  
Via Privata della Torre 24  
20127-Milano-Italia  
Tel: +39 - 022892641  
Fax: +39 - 022827511  
www.electrica.com

Serie MTRP - rele' d'avviamento  
(MTRP series - starting relay)

Montaggio 15  
(Mounting)



Collegamento con condensatore d'avviamento  
(Wiring with starting capacitor)



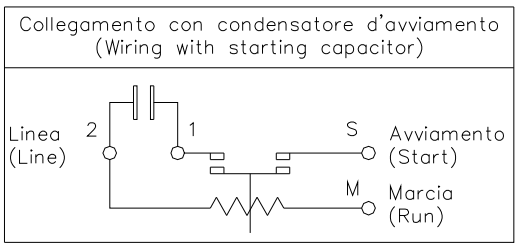
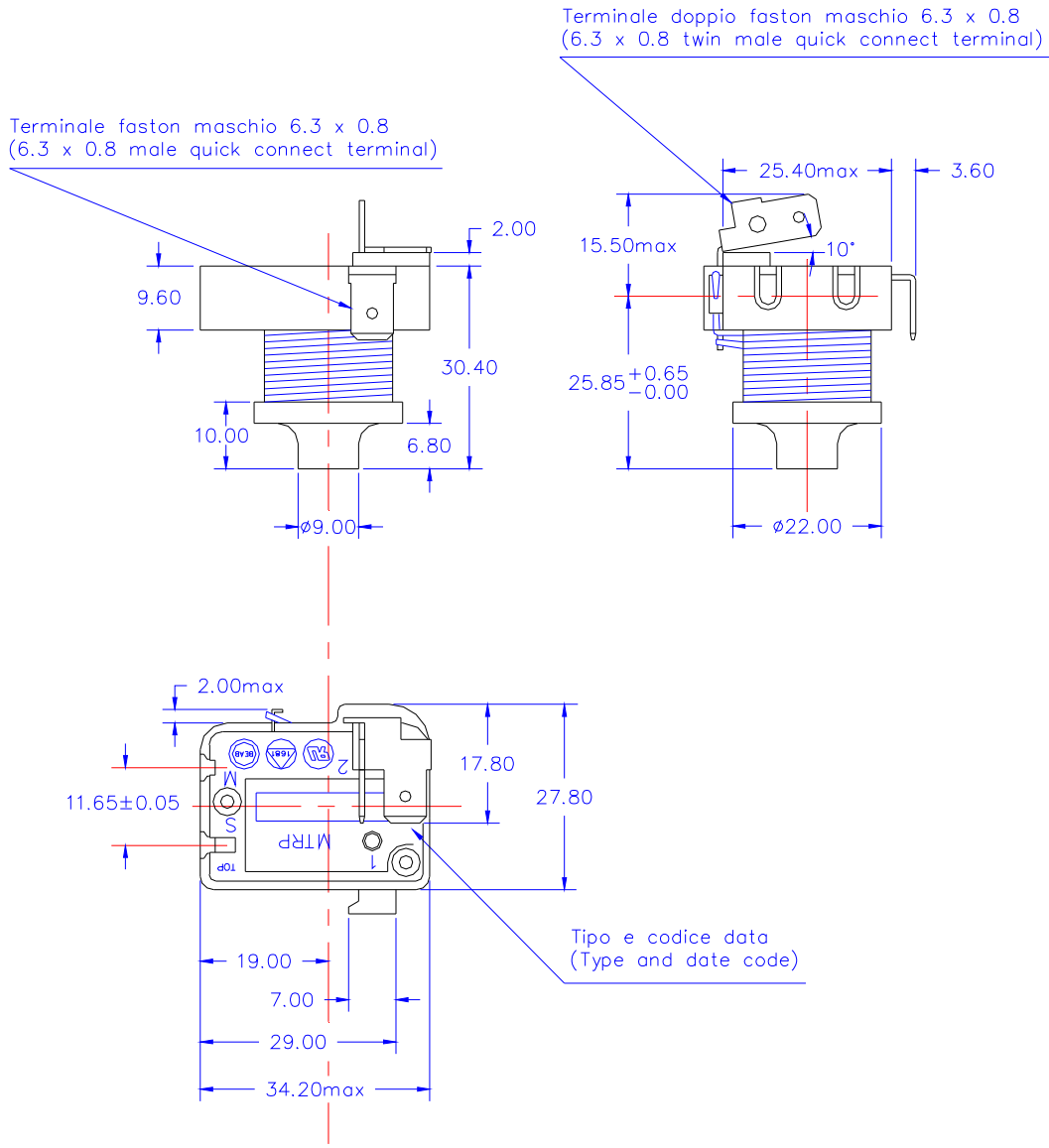
REV.01  
27/05/93



ELECTRICA s.r.l.  
Via Privata della Torre 24  
20127-Milano-Italia  
Tel: +39 - 022892641  
Fax: +39 - 022827511  
www.electrica.com

Serie MTRP - rele' d'avviamento  
(MTRP series - starting relay)

Montaggio 31  
(Mounting)



REV.01  
27/05/93