

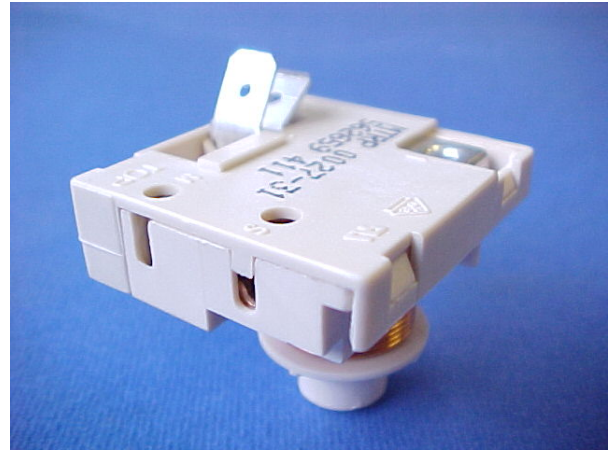


# New MTRP

## PLUG-IN MOTOR STARTING RELAY

This 3rd generation relay is designed to increase user wiring flexibility and is manufactured on automated assembly line.

HIGH RELIABILITY  
EASY MOUNTING  
LOW COST  
FOR LARGE PRODUCTION BATCH



### Electrical Characteristics

- Class B coil (130°C).
- Normally-open circuit, single pole, double break, for use on RSIR or CSIR applications.
- For Normal pollution condition (according to EN60730)
- Contact ratings:  
MTRP                    8A-250VAC, 12A-125VAC  
MTRPH                  12A-250VAC, 15A-125VAC
- Endurance: 500.000 operations
- Ambient temperature Tmax = 80°C
- Cover and bobbin material:  
Thermoplastic compound PTI 250V - UL94 V0

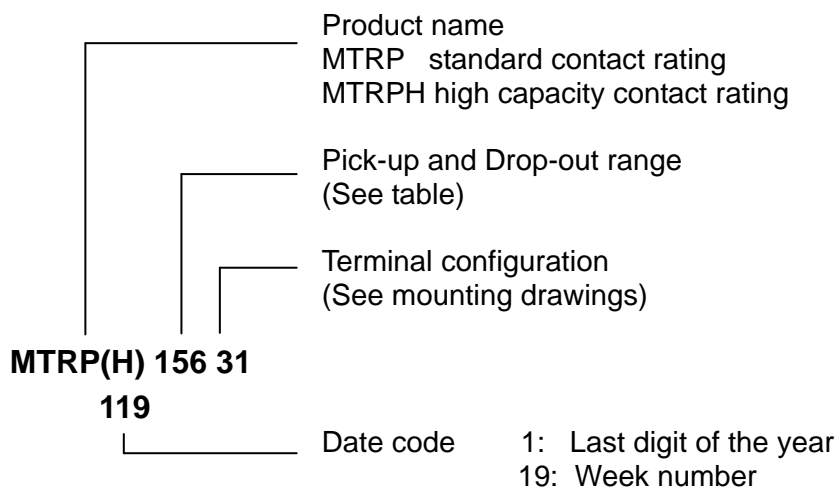
### Mechanical Characteristics

- Plug-in mounting directly on "Fusite" Main and Start Ø2.28 mm standard pins.
- 6.3 mm (.250") quick-connect terminals available.
- Compact size.

### Approvals

- ENEC    IMQ - CA02.00429
- UL        E51436
- CUL      E51436
- According to EN60079-15:2005 for use with flammable refrigerants

### Coding and Marking



## Pick-up and Drop-out range

MTRP MTRPH	Max. Pick-up Amp	Min. Drop-out Amp	MTRP MTRPH	Max. Pick-up Amp	Min. Drop-out Amp
20	2,00	1,70	47	7,45	6,30
21	2,10	1,75	48	7,80	6,65
22	2,20	1,85	49	8,20	7,00
23	2,30	1,95	50	8,60	7,35
24	2,40	2,05	51	9,05	7,70
25	2,50	2,10	52	9,50	8,05
26	2,70	2,30	53	10,00	8,45
27	2,80	2,40	54	10,50	8,90
28	2,95	2,50	55	11,00	9,35
29	3,10	2,60	56	11,55	9,80
30	3,25	2,75	57	12,10	10,30
31	3,40	2,90	58	12,70	10,80
32	3,55	3,05	59	13,35	11,35
33	3,75	3,20	60	14,00	11,90
34	3,95	3,35	61	14,70	12,50
35	4,15	3,50	62	17,40	14,80
36	4,35	3,70	63	17,80	14,90
37	4,55	3,90	64	18,20	15,50
38	4,80	4,10	65	18,70	15,60
39	5,05	4,30	66	19,20	16,20
40	5,30	4,50	67	19,90	16,60
41	5,55	4,70	68	20,30	17,25
42	5,80	4,95	69	20,90	17,75
43	6,10	5,20	70	21,90	18,20
44	6,40	5,45	71	23,20	19,40
45	6,75	5,70	72	24,00	19,80
46	7,10	6,00	73	24,40	20,30

For different operating values, contact the Factory.

For any different configuration, contact the Factory

---

**Electrica s.r.l.** - via privata Della Torre, 24 - 20127 Milano - Italy  
 Tel. +39 02 2892641 Fax +39 02 2827511  
[www.electrica.it](http://www.electrica.it) [info@electrica.it](mailto:info@electrica.it)

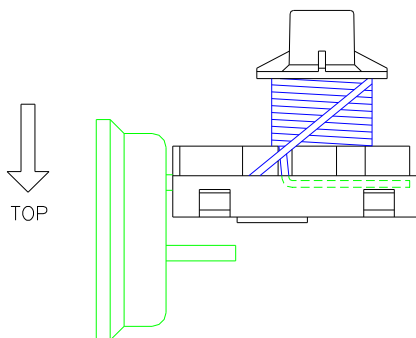
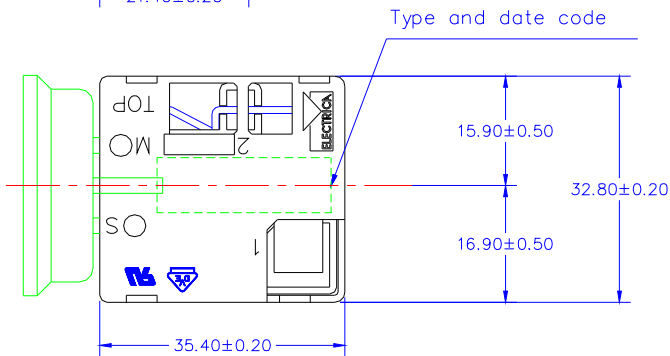
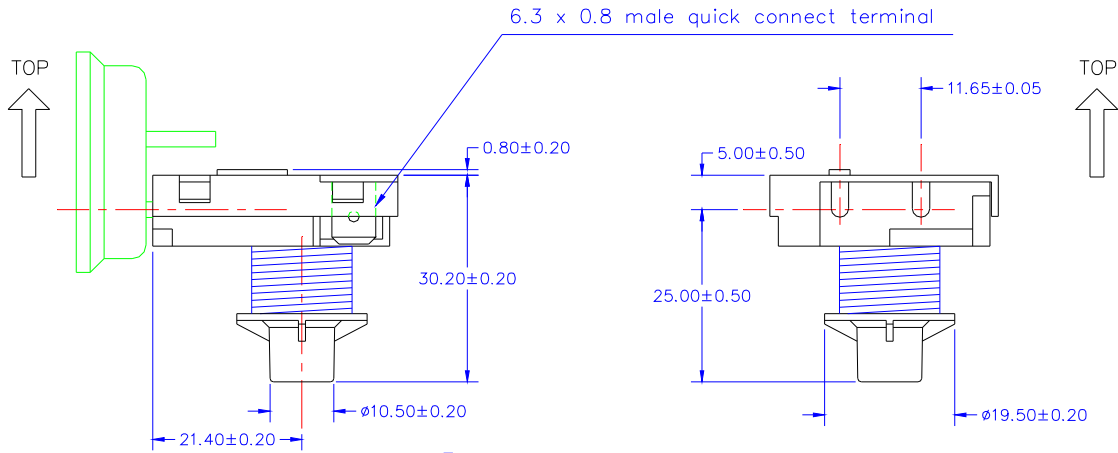


ELECTRICA s.r.l.  
Via privata Della Torre 24  
20127-Milano-Italia  
Tel. +39 02 2892641  
Fax +39 02 2827511  
e-mail info@electrica.it  
www.electrica.com

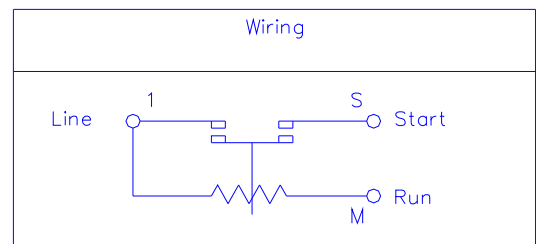
# New MTRP-XX-02

## Quick Connect line terminal 1

18/02/04 - REV04



BOBBIN and COVER:  
Thermoplastic polyamide66-KC>250, UL94 V0



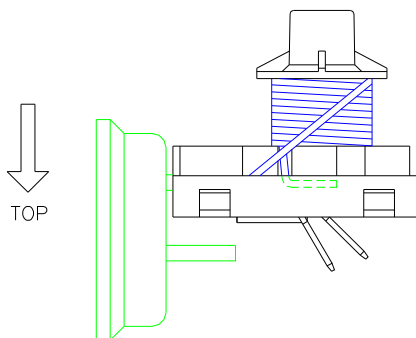
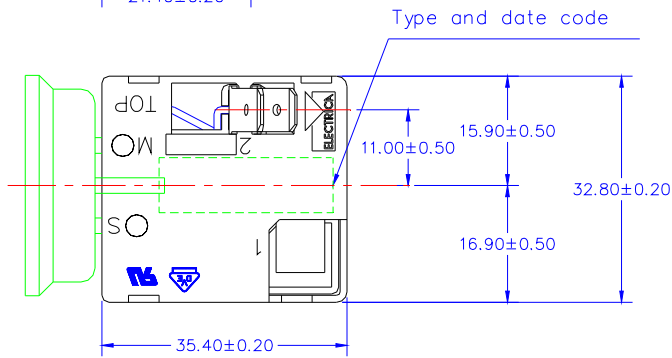
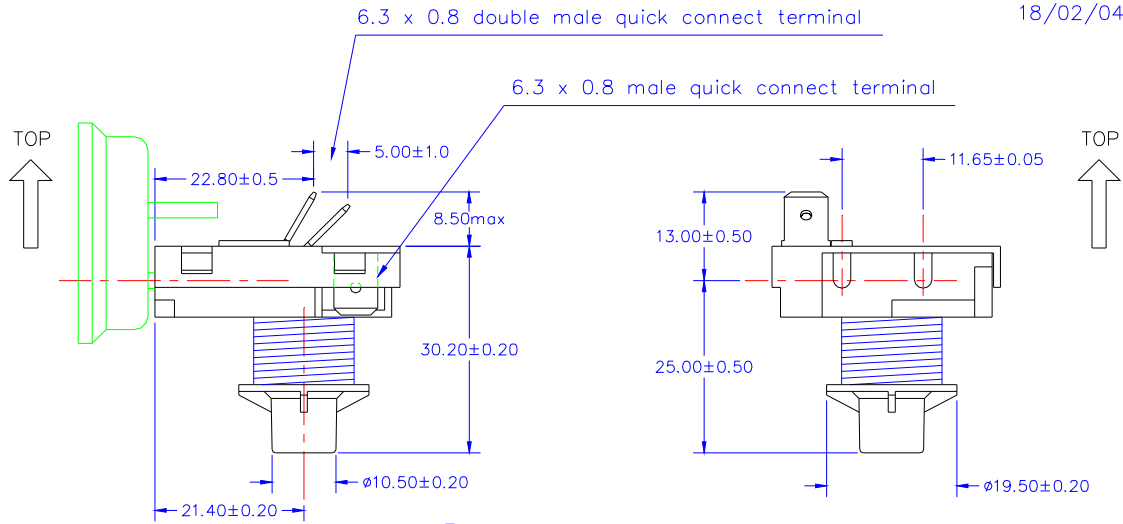


ELECTRICA s.r.l.  
Via privata Della Torre 24  
20127-Milano-Italia  
Tel. +39 02 2892641  
Fax +39 02 2827511  
e-mail info@electrica.it  
www.electrica.com

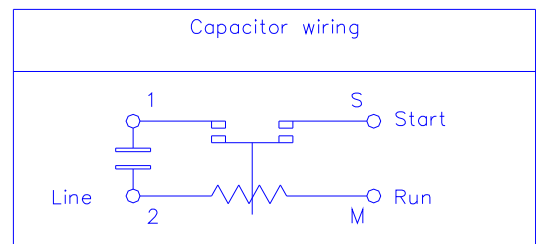
# New MTRP-XX-31

## Capacitor connection, quick connect terminals 1 & 2

18/02/04 - REV04



BOBBIN and COVER:  
Thermoplastic polyamide66-KC>250, UL94 V0



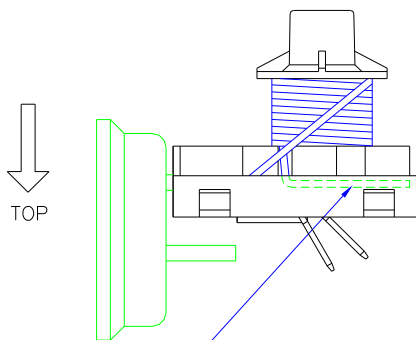
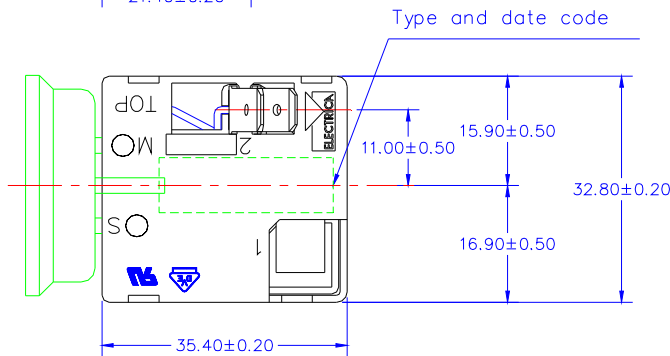
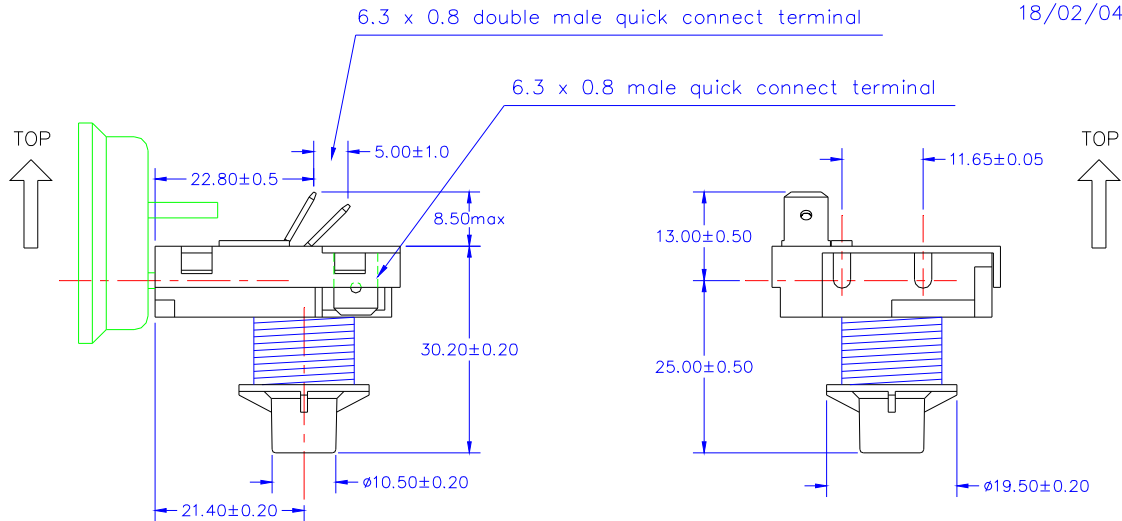


ELECTRICA s.r.l.  
Via privata Della Torre 24  
20127-Milano-Italia  
Tel. +39 02 2892641  
Fax +39 02 2827511  
e-mail info@electrica.it  
www.electrica.com

## New MTRP-XX-33

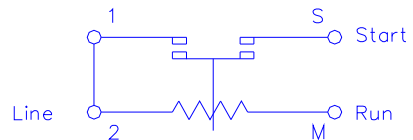
Short circuit wire between  
quick connect terminals 1 & 2

18/02/04 - REV04

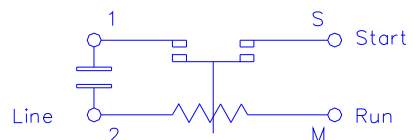


BOBBIN and COVER:  
Thermoplastic polyamide66-KC>250, UL94 V0

No capacitor with short circuit wire  
between terminals 1 & 2



Capacitor wiring after having cut the wire  
between terminals 1 & 2



Cut the wire here for Capacitor wiring